



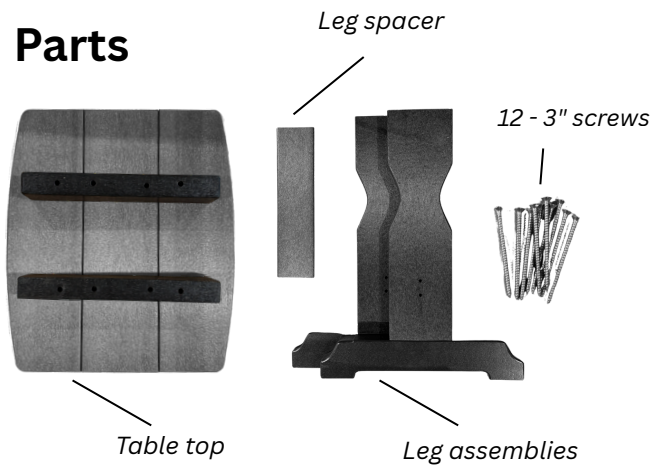
Assembly Instructions

Luxe or Sapphire End Table

Tools Needed: #2 square bit screw driver or power driver. No drilling required.



Parts



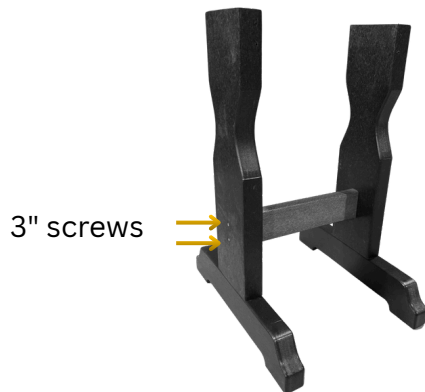
Step 2: Fasten table top

Table top, 8 - 3" screws



Step 1: Attach the leg assemblies

Leg assemblies, leg spacer, four 3" screws



- On a clean, level work surface, match the numbered ends of the leg spacer with the numbers on each leg assembly.
- Using the pilot holes, tighten the 3" screws. Ensure they go into the screw holes that are already in the spacer to ensure a non-rocking table.

- Match the numbers on each side of each leg assembly and match it with the numbered corners of the table top
- Using the pilot holes, fasten the table top securely with two screws in each corner.



Congratulations!
Your **Aurora Outdoor End Table**
is ready to enjoy!